

# Compact Drive technical specification



**smart interior design**

FOR YOUR OFFICE

[WWW.SMARTINTERIOR.RO](http://WWW.SMARTINTERIOR.RO)

Strada Ziduri Intre Vii, Nr 19, Corp A, Sector 2,  
Bucuresti.

Email: [office@smartinterior.ro](mailto:office@smartinterior.ro)  
tel: 0742220325 / 0733626222

**smart interior design**

FOR YOUR OFFICE

WWW.SMARTINTERIOR.RO

Strada Ziduri Intre Vii, Nr 19, Corp A, Sector 2,  
Bucuresti.

Email: office@smartinterior.ro  
tel: 0742220325 / 0733626222



---

### **General informations:**

#### **Warranty:**

products – 3 years.

Electrical components and fabric – 2 years.

#### **Certificate - MFC:**



#### **Assembly:**

the product comes pre-assembled

#### **Packing:**

cardboard

#### **Boards density:**

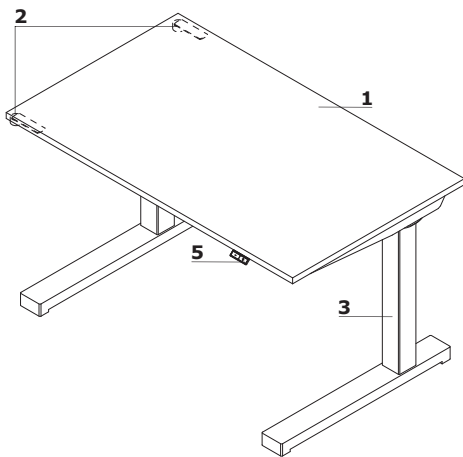
12 mm - 690 - 750 kg/m<sup>3</sup>

18 mm - 650 - 690 kg/m<sup>3</sup>

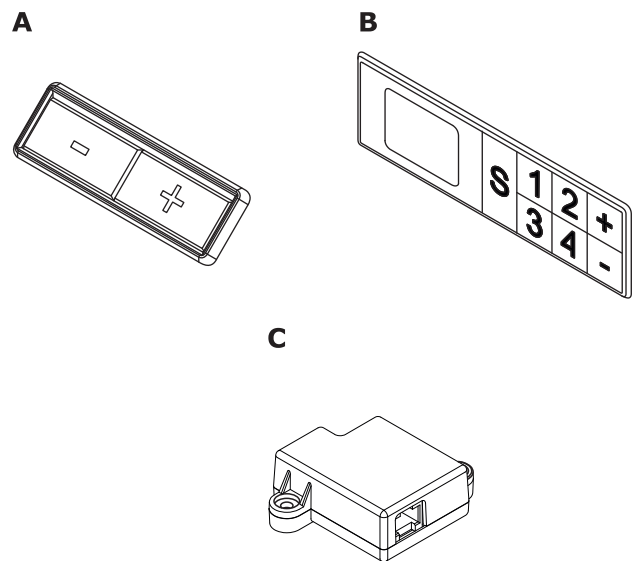
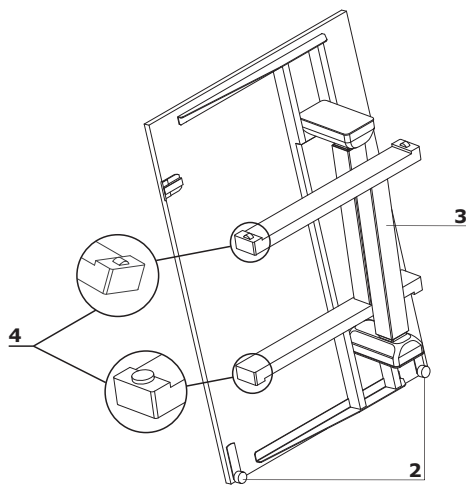
28 mm - 610 - 630 kg/m<sup>3</sup>

36 mm - 610 - 630 kg/m<sup>3</sup>

## Technical specification



1. **Top** - MFC 18 mm, black, ABS edges 2 mm
2. **Transport wheels** - allow moving the desk in the folded position
3. **Electric height adjustable frame** - powder coated steel, load 100 kg, telescopic leg, folding
4. **Foot:**
  - feet - only on the right hand side leg
  - transport wheels - only on the left hand side leg
5. **Control panel - stepless height adjustment:**
  - A - basic control panel
  - B - OPTION WITH EXTRA CHARGE - up and down keypad with memory
  - C - Bluetooth module - compatible with control panel A and B -



Attention - the desk is arrives pre-assembled with folded frame (unfolding the frame does not require any tools)

## Frame technical specification

- Height adjustment** - 40 mm/sec Super Soft Start - Stop  
**Drive** - 2 synchronised motors with microprocessor, work control sensor  
**Noise level** - < 48dB  
**Anti colision mechanism**  
**Standards** - EN 527-2  
**EU Directives** - 206/95EC, UI508 1999, UL 1004 R7 06, WE DC 2004/108WE  
**Power supply** - 230V, 300W, power consumption on Standby - 0.3W

**smart interior design**

FOR YOUR OFFICE

WWW.SMARTINTERIOR.RO

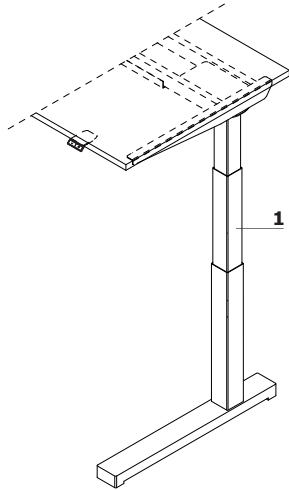
Strada Ziduri Intre Vii, Nr 19, Corp A, Sector 2,  
Bucuresti.

Email: office@smartinterior.ro  
tel: 0742220325 / 0733626222

---

## Frame

1. Electric height adjustable frame - in the range of 540-1190 mm  
- sit-stand, metal, powder coated, 3 profiles 50 × 50 mm,  
55 × 55 mm and 60 × 60 mm



---

**smart interior design**

FOR YOUR OFFICE

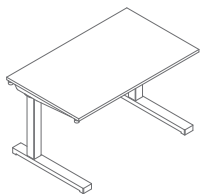
WWW.SMARTINTERIOR.RO

Strada Ziduri Intre Vii, Nr 19, Corp A, Sector 2,  
Bucuresti.

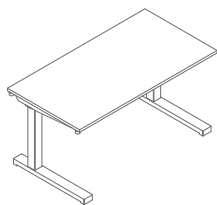
Email: [office@smartinterior.ro](mailto:office@smartinterior.ro)  
tel: 0742220325 / 0733626222

---

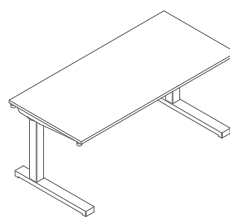
## Desks \*



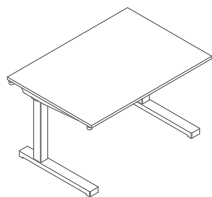
**CDR60**  
1000 / 600 / 575-1225  
40 kg



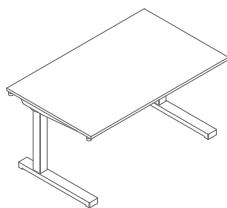
**CDR62**  
1200 / 600 / 575-1225  
44 kg



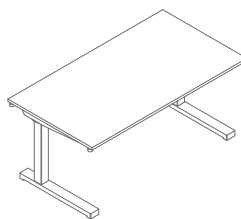
**CDR64**  
1400 / 600 / 575-1225  
48 kg



**CDR70**  
1000 / 700 / 575-1225  
42 kg



**CDR72**  
1200 / 700 / 575-1225  
46 kg



**CDR74**  
1400 / 700 / 575-1225  
50 kg

---

**smart interior design**

FOR YOUR OFFICE

WWW.SMARTINTERIOR.RO

Strada Ziduri Intre Vii, Nr 19, Corp A, Sector 2,  
Bucuresti.

Email: [office@smartinterior.ro](mailto:office@smartinterior.ro)  
tel: 0742220325 / 0733626222

\* dimensions expressed in millimeters: width x depth x height

---

## Top



14 Beech



26 Aluminum  
satinato \*



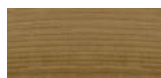
31 Canadian oak



34 Chestnut



39 Polar birch



64 Cocoa



67 White pastel \*



106 Lowland  
walnut



154 Anthracite \*



08 Black \*

---

## Frame - metal



M009 Aluminum  
semi-matt  
RAL9006



M015 White  
semi-matt  
RAL9010



M154 Antracite  
semi-matt  
RAL7043



M115 Black  
semi-matt  
RAL9005

---

\* OPTION WITH EXTRA CHARGE - worktop edge, colour: ash natural

**smart interior design**

FOR YOUR OFFICE

WWW.SMARTINTERIOR.RO

Strada Ziduri Intre Vii, Nr 19, Corp A, Sector 2,  
Bucuresti.

Email: [office@smartinterior.ro](mailto:office@smartinterior.ro)

tel: 0742220325 / 0733626222